

**Mini Type Electronic Counter**  
**Model: ZYC03**

**Description**

1. DIN48\*24mm standard panel, 50\*60mm extension available
2. Internal Li battery, no external power required.
3. 6 or 8 digitals LCD display, big and clear display
4. Panel reset with lock, avoid error operate
5. Input contact or electrical signal, reliable and exact count
6. Top count rate is 200Hz.
7. No mechanical abrasion, long life time, to replace the electromagnetism counter



**Specification**

Power: internal power

Battery life: appr. 5 year (25°C)

Count range: 0~999999/99999999

Minimum count signal: ZYC03-L 100ms (5Hz)

ZYC03-VL/ZYC03-AL 50ms (10 Hz)

ZYC03-H 5ms (100 Hz)

ZYC03-VH 2.5ms (200 Hz)

Reset: panel button reset/ external terminal reset

Operating temperature: -10~40°C (no freeze)

Humidity: 35~85%RH

No voltage input:

Max connect resistance: ≤10KΩ (count ON)

Min disconnect resistance: ≥1000KΩ (count OFF)

Voltage input: H valid

(1) L: DC0~2V H: DC4~30V

(2) L: ≤5%Ue H: AC220V/110V(85%-110%)

Min reset pulse: ≥0.5s

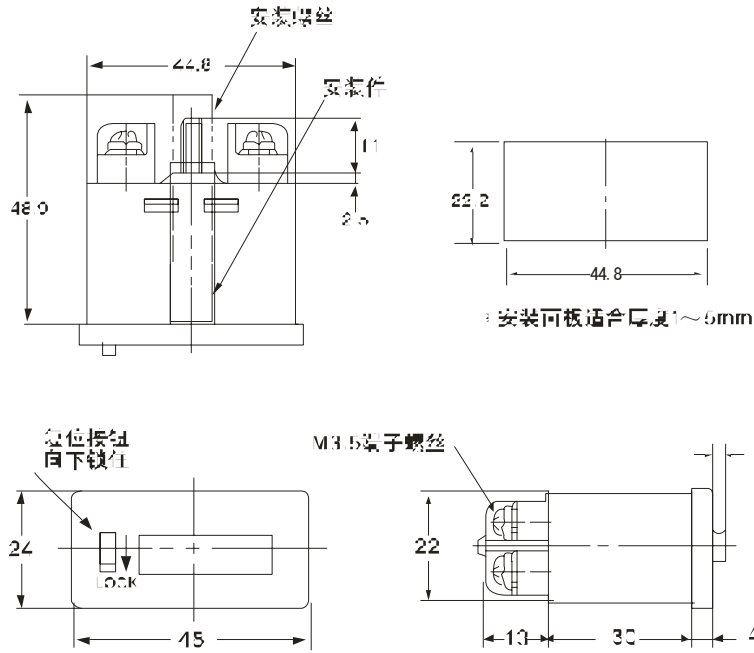
Weight: appr.60g

Installation dimension: 22.5×45mm

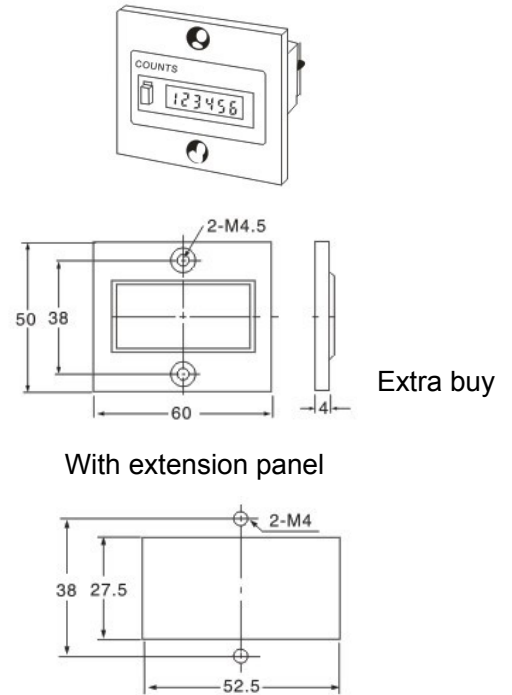
**Model**

Model	ZYC03-6L	ZYC03-6H	ZYC06-6VL	ZYC03-6VH	ZYC03-8L	ZYC03-8H	ZYC03-8VL	ZYC03-8VH
Count rate	5Hz	100Hz	10Hz	200Hz	5Hz	100Hz	10Hz	200Hz
Display	LCD display							
Reset	External/panel reset				External/panel reset			
Display	6 digital (6.8mm height)				8 digital (6.8mm height)			
Reset input	No voltage input		Voltage input		No voltage input		Voltage input	
Count input	(contact or transistor input)				(contact or transistor input)			

## Dimensions

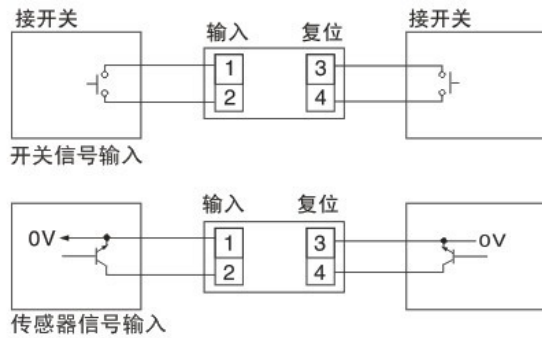


## Extension panel

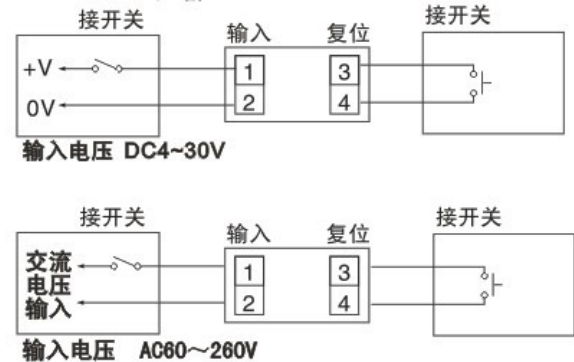


## Wiring diagram

### 1) ZYC03 without voltage input



### 2) ZYC03-V with voltage input



## Cautions

1. The signal and the reset switch or circuit of the counter should close up the connect terminal, make the input wire as short as possible.
  2. It is necessary to use shielded cable, avoid inter-twisting with other cable, such as power supply cable or dynamical cable.
  3. Reset signal should not connect too long; avoid wasting the internal battery.
  4. Contact input should be reliable, avoid to error count caused by contact bounce.
- △ This produce has Li battery inside, do not press it or heat over 100°C, avoid the Li battery to break or burn.